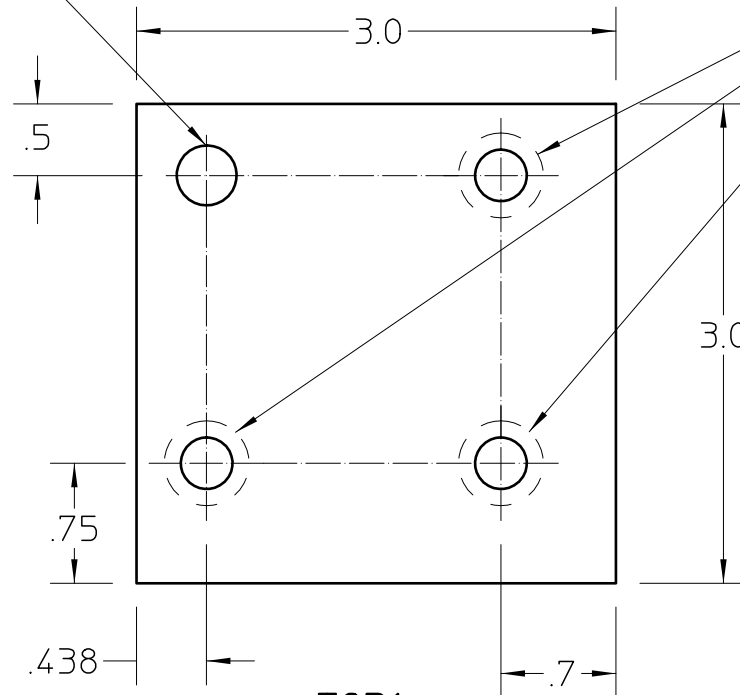


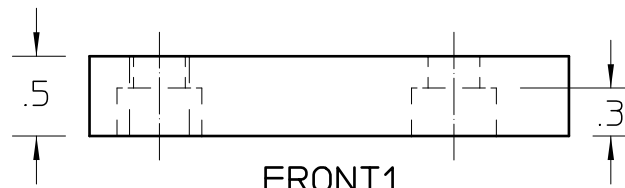
IS01

Tapped hole for 3/8-16

Clearance holes for 5/16-18 counterbore (3)



TOP1



FRONT1