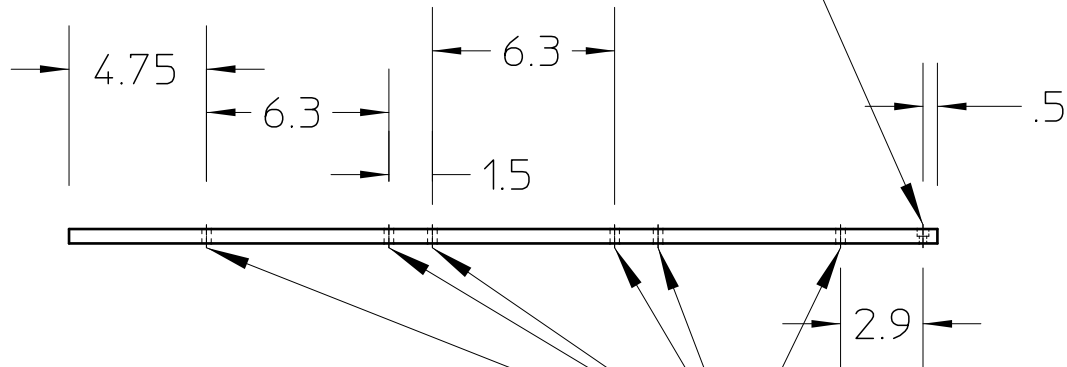


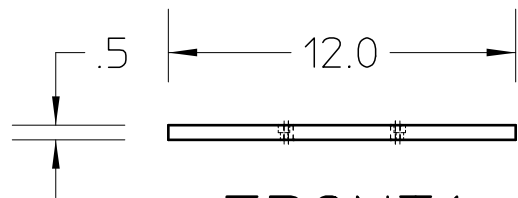
TOP1

Clearance counterbore holes for 1/4-20 screw (2)



Clearance holes for 5/16-18 screws countersunk from bottom (12)

RIGHT1



FRONT1