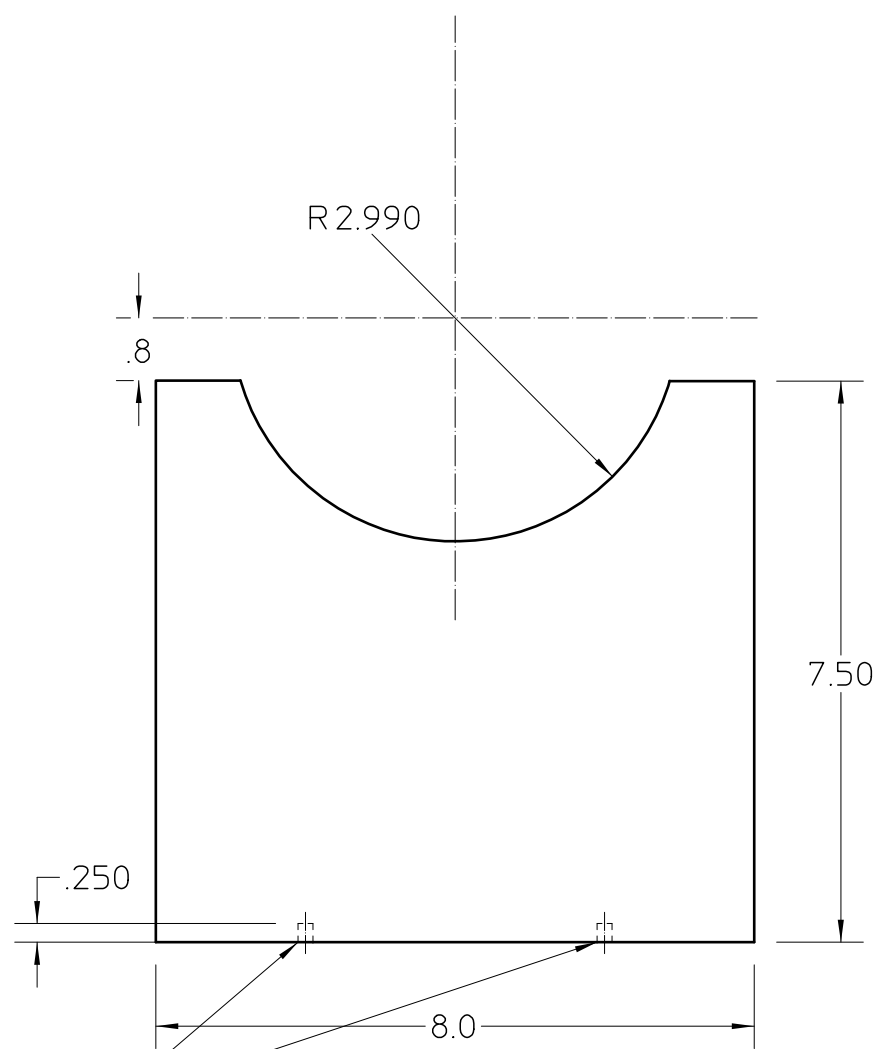
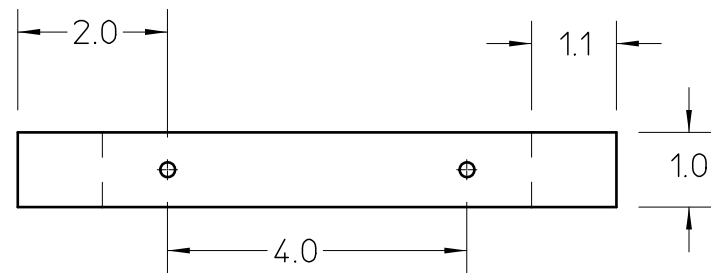


IS01



Tapped holes for 1/4-18 screws (2)

FRONT1



BOTTOM1