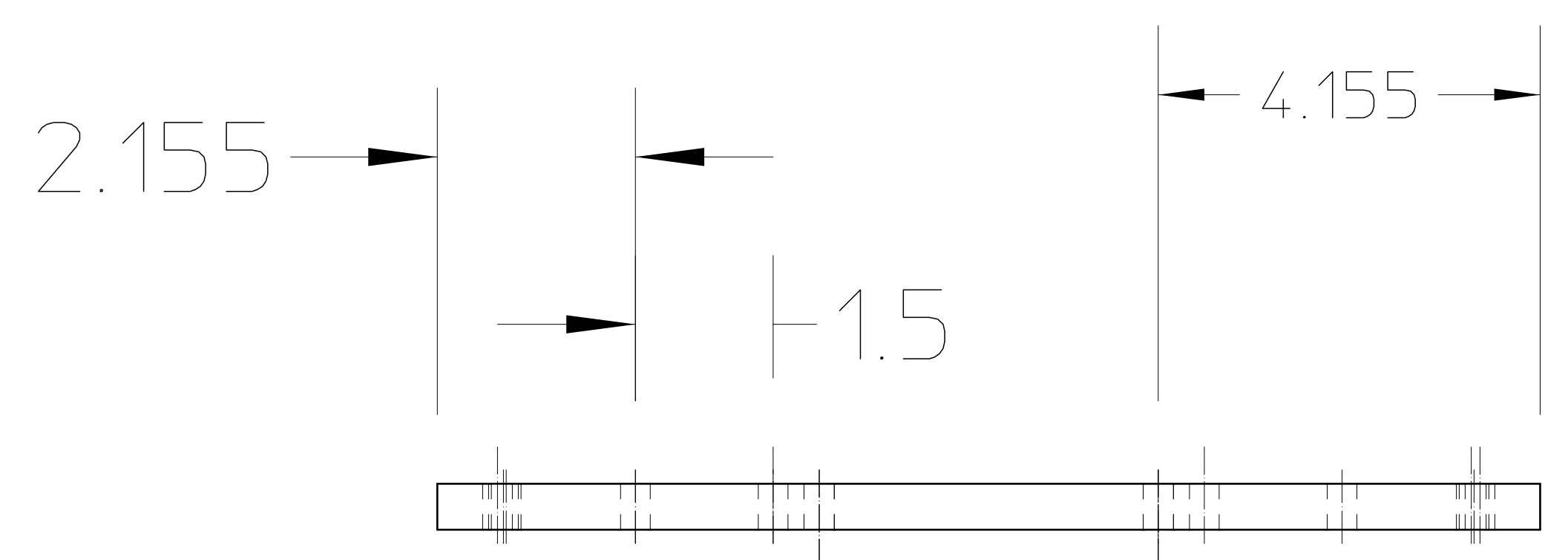
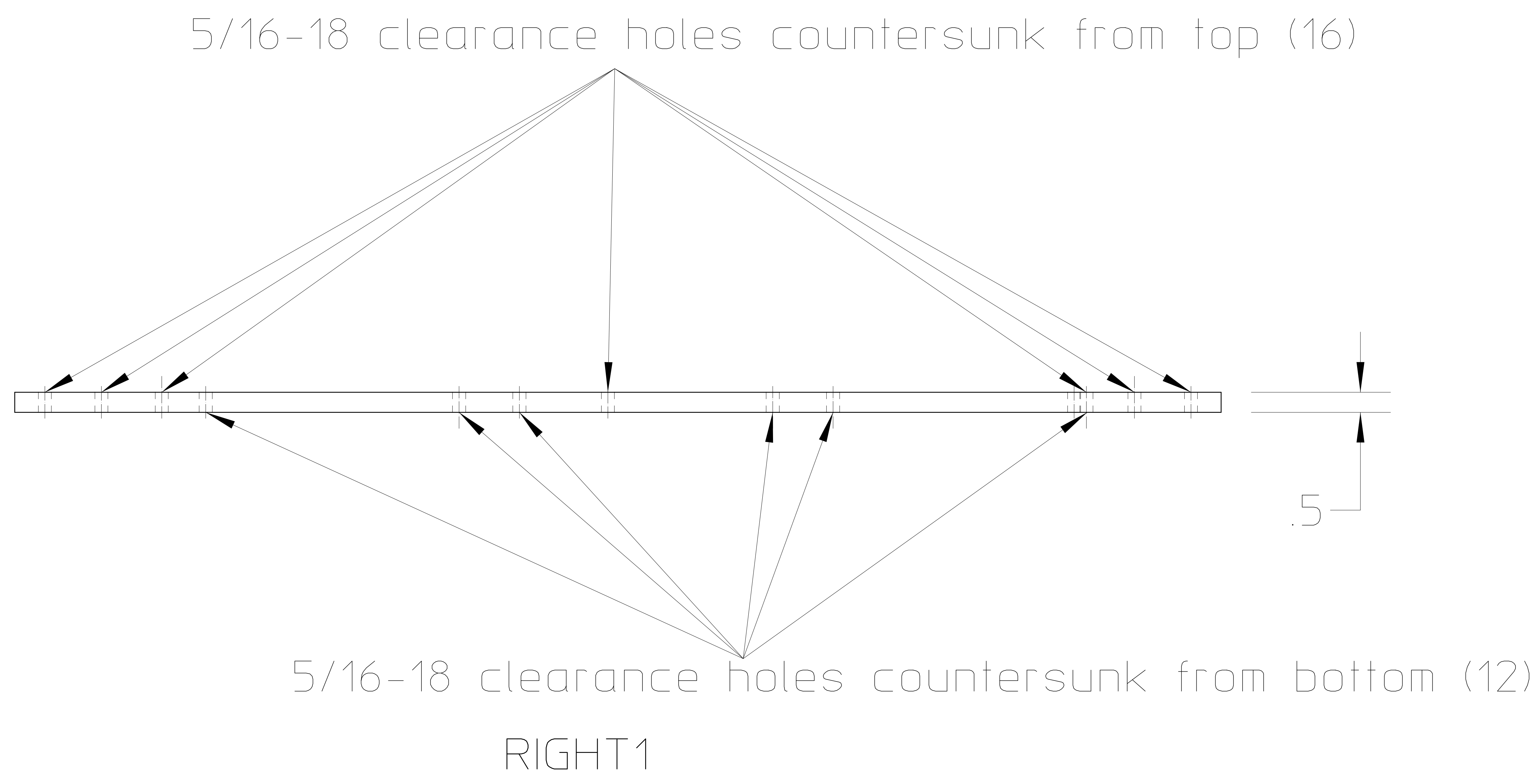


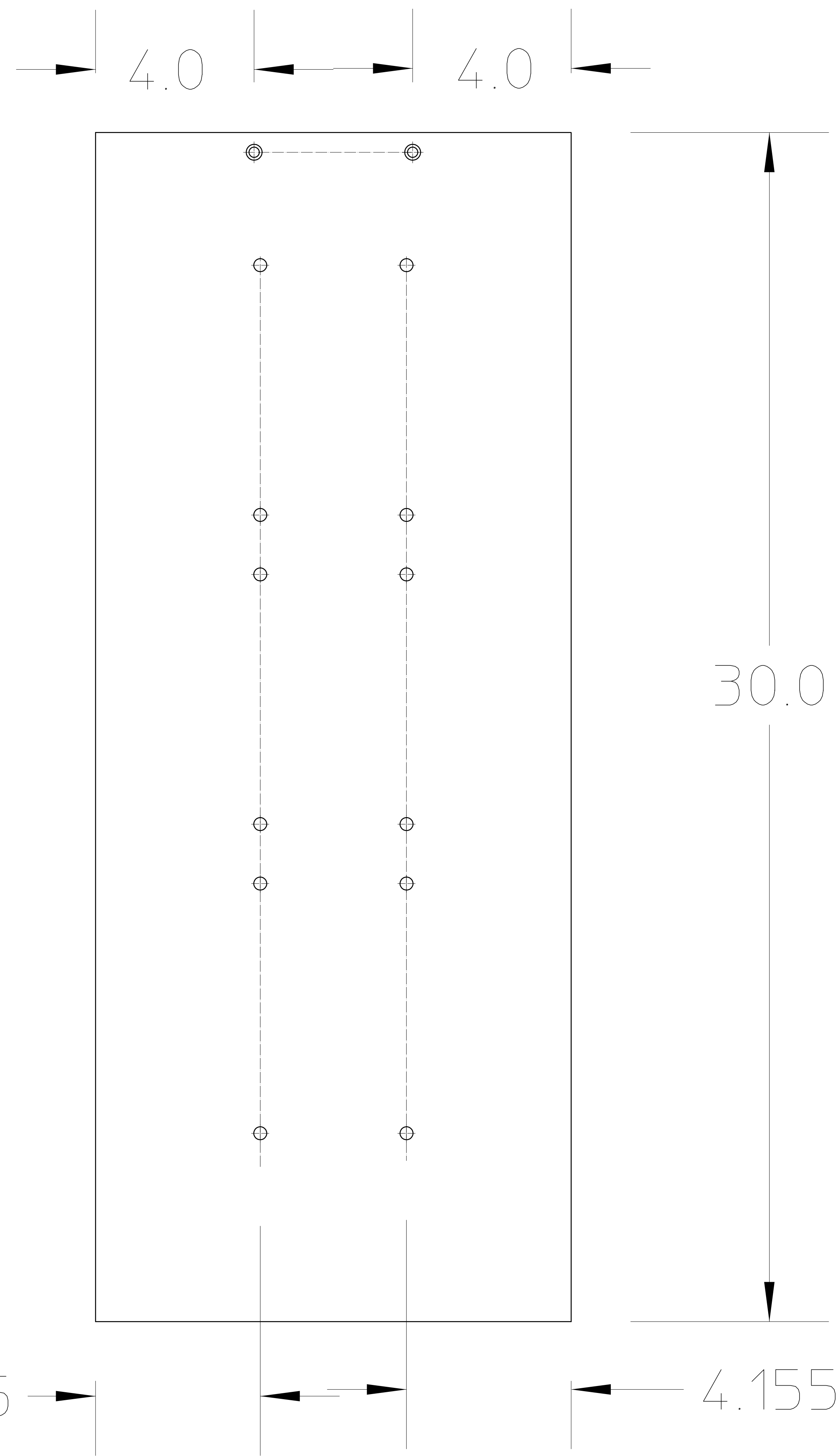
TOP1



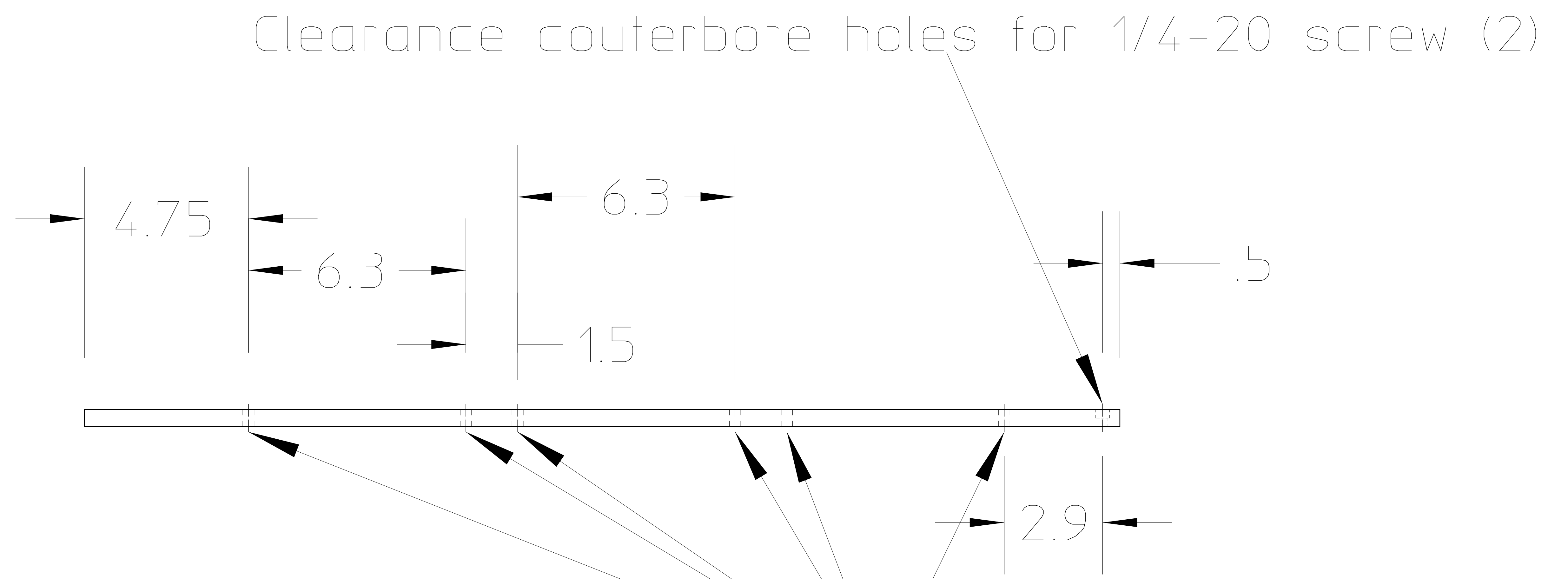
FRONT1



RIGHT1



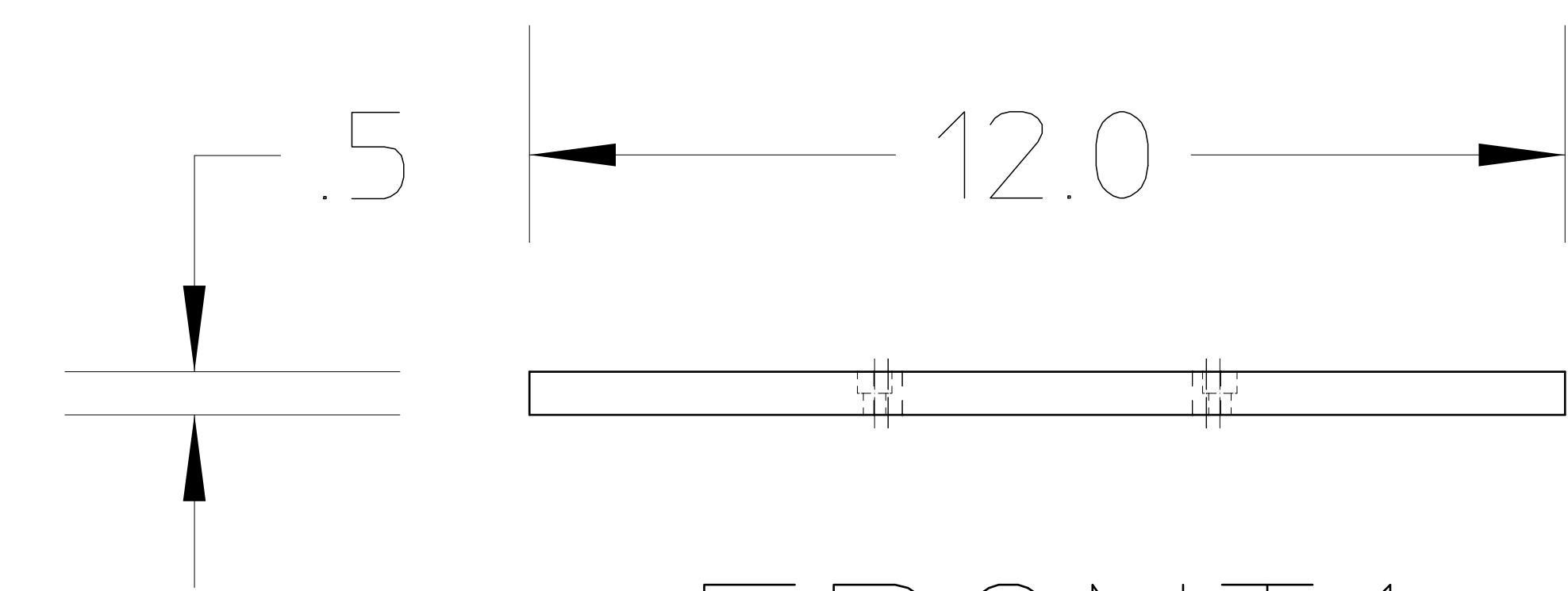
TOP1



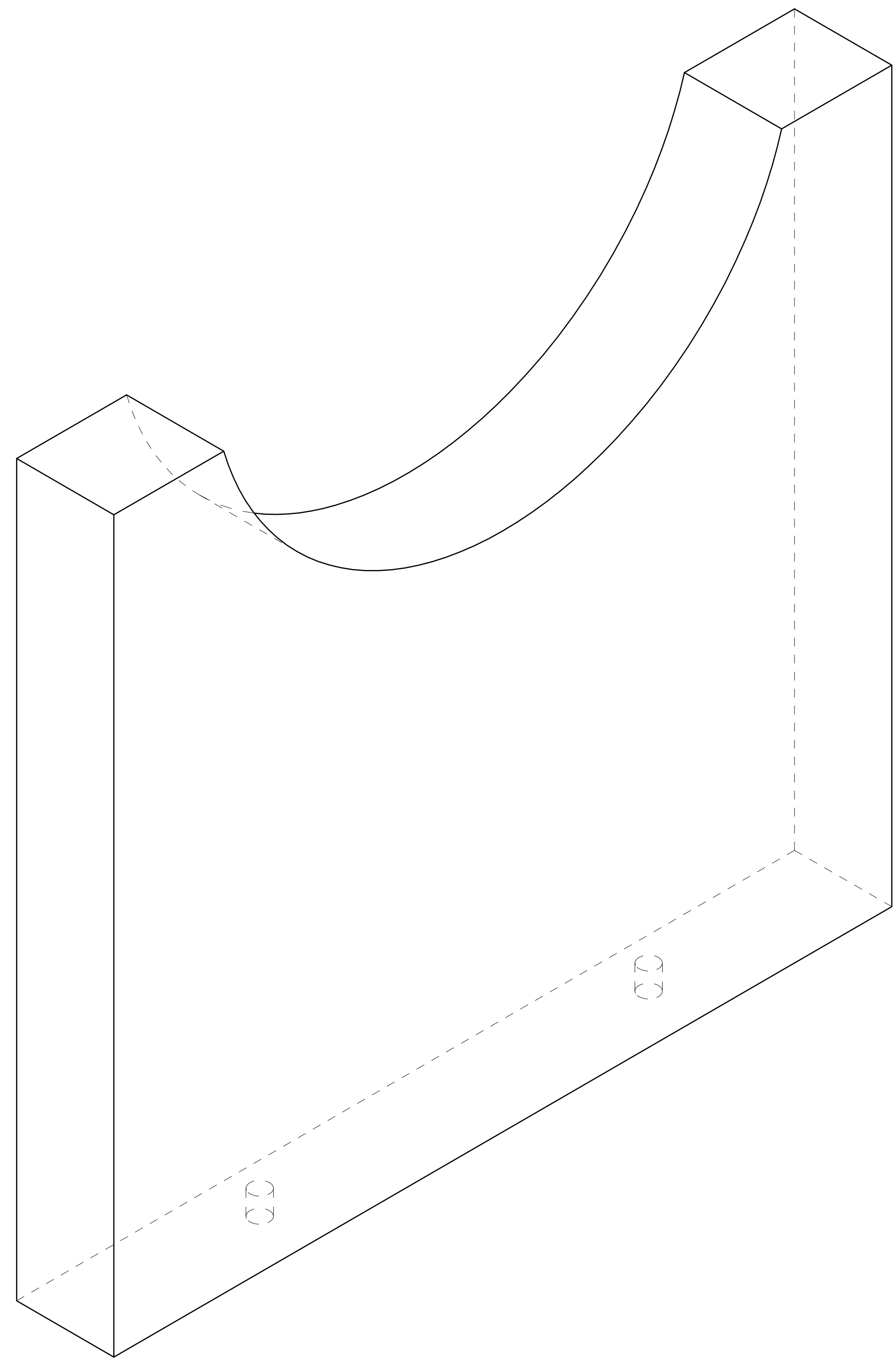
Clearance counterbore holes for 1/4-20 screw (2)

Clearance holes for 5/16-18 screws countersunk from bottom (12)

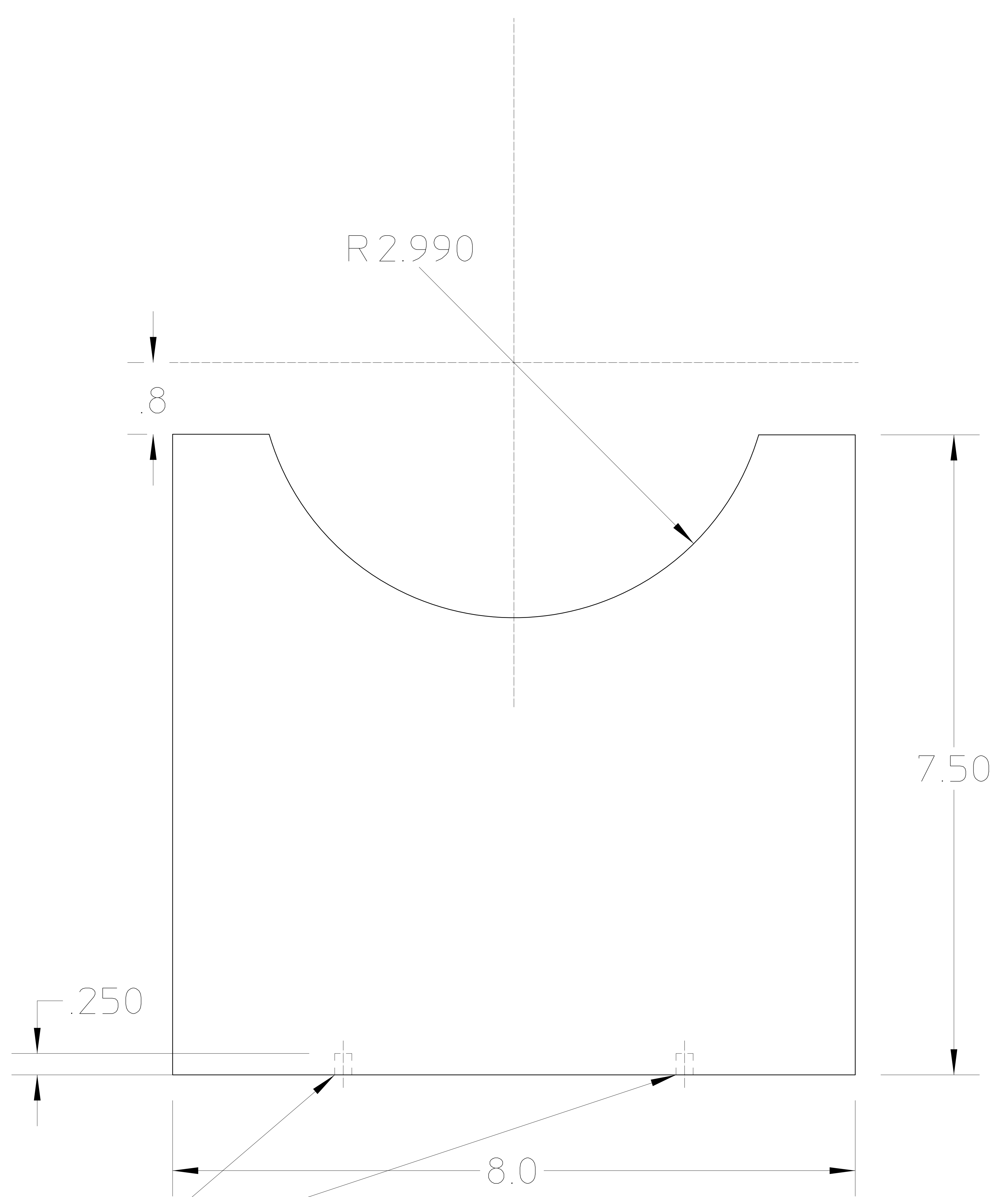
RIGHT1



FRONT1

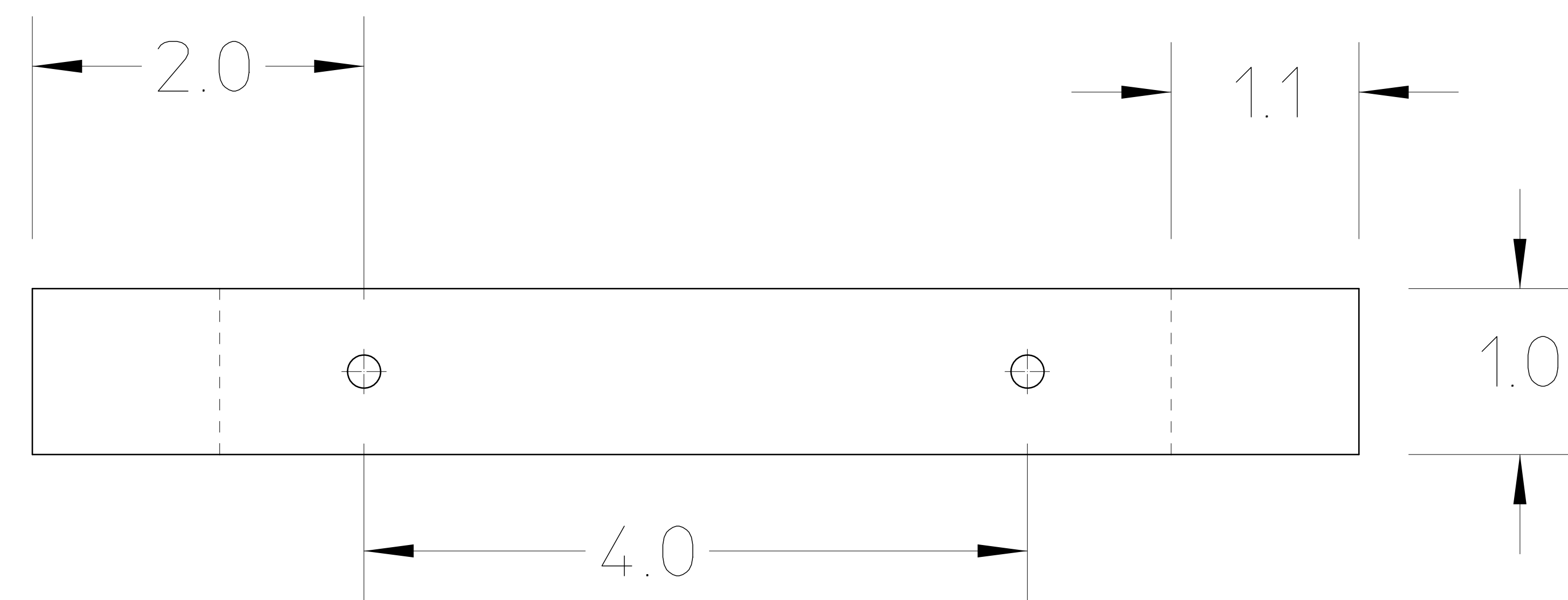


IS01

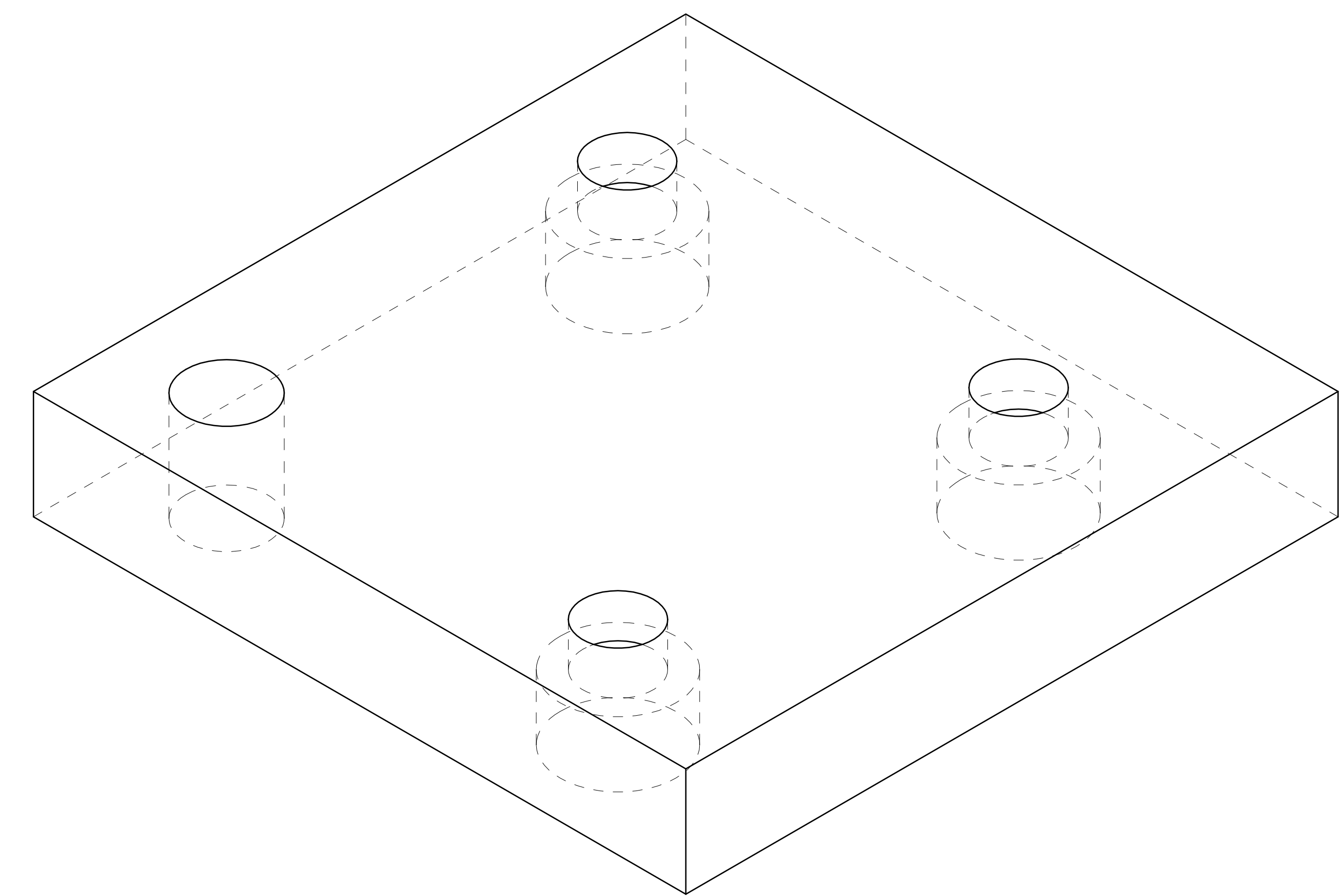


Tapped holes for 1/4-18 screws (2)

FRONT1



BOTTOM1



IS01

Tapped hole for 3/8-16

Clearance holes for 5/16-18 counterbore (3)

